



TH-100-EN54

- High sound pressure level
- Weather-proof
- Stainless steel mounting V4A (AISI 316)



EN 54-24:2008
Ref. Nr.: 01T-15
ID-Code: SAA-TH01
1438-CPR-0481

ic audio GmbH, Boehringerstraße 14a,
D-68307 Mannheim, Germany

CE-Symbol gemäß Richtlinie 93/68EWG

The boundary horn speaker TH-100-EN54 has been developed for areas with extreme high ambient noise and is suitable for indoor and outdoor application, such as tunnels. It is built to withstand corrosive atmospheric contaminants, high moisture levels and temperature extremes. The horn provides an enormous sound pressure level, a very balanced frequency response and also a very low distortion.

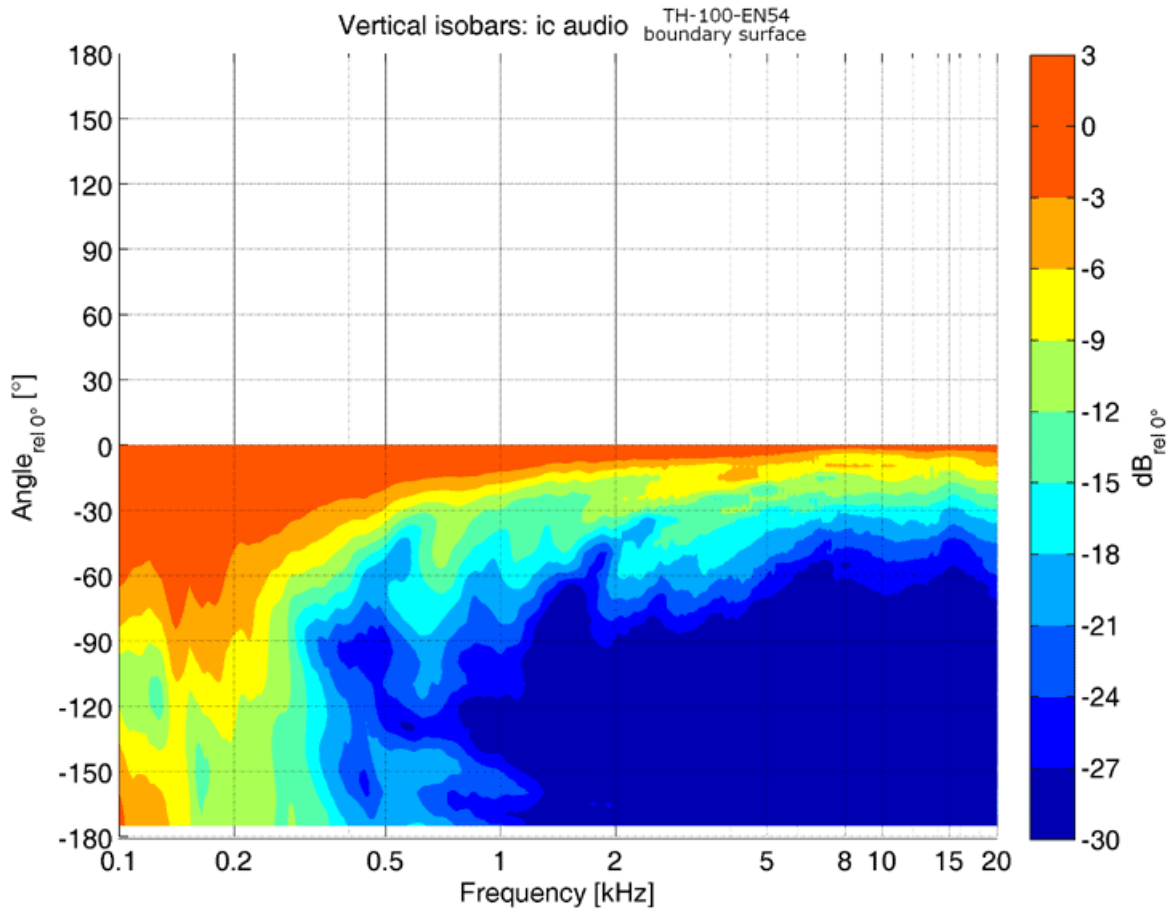
The TH-100-EN54 with a flame retardant plastic housing (UL 94 V-0) in black and IP 65 protection is also equipped with a ceramic block and thermal fuse. The high quality 100W horn driver offers a high performance CCAR voice coil. Furthermore sturdy cable glands 2 x PG13,5 are also provided.

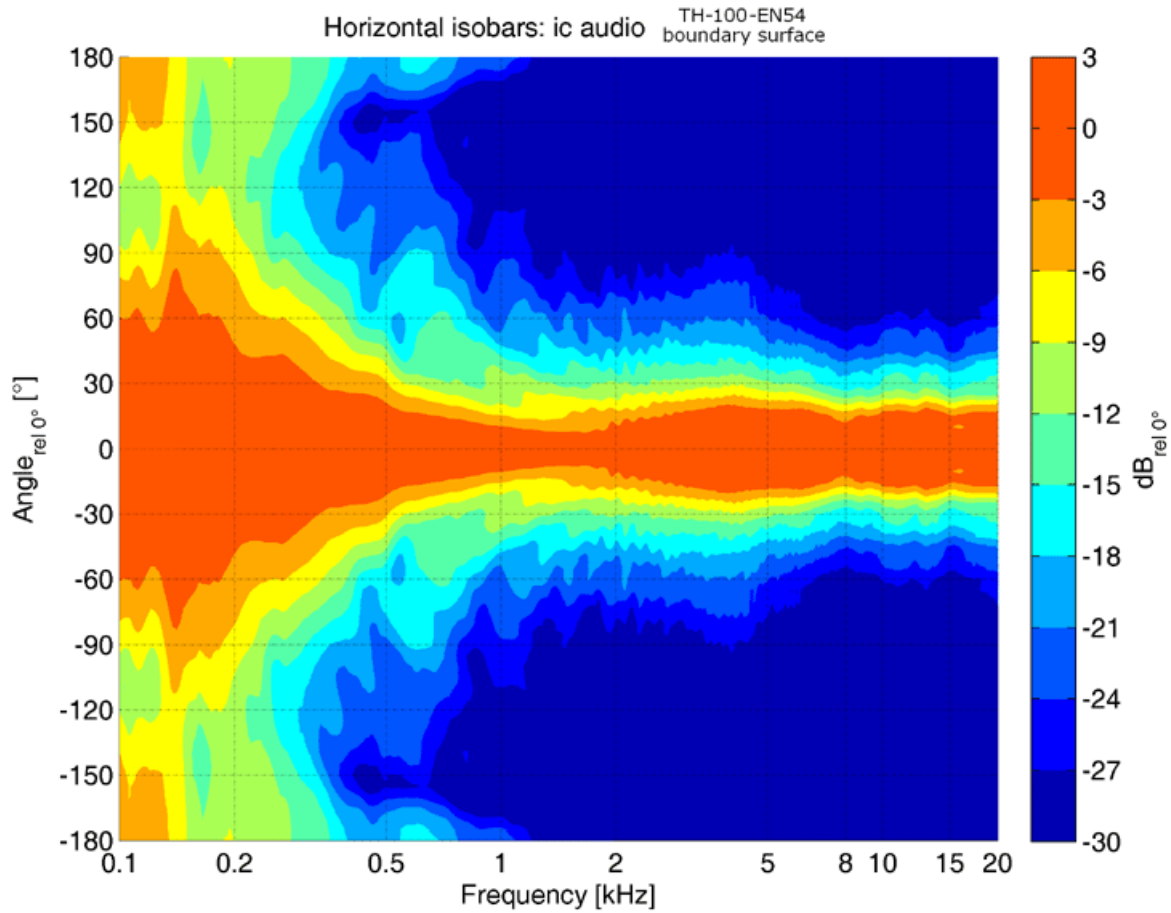
Sturdy installation by rust-free V4A stainless steel brackets and screws (1.4401 according to ISO 3506 / EN 10088-3; AISI 316).

Two mounting options are available: TH-100-WH offers 4 single mounting brackets and the premium mounting kit TH-100-PH enables the installation by only one person.

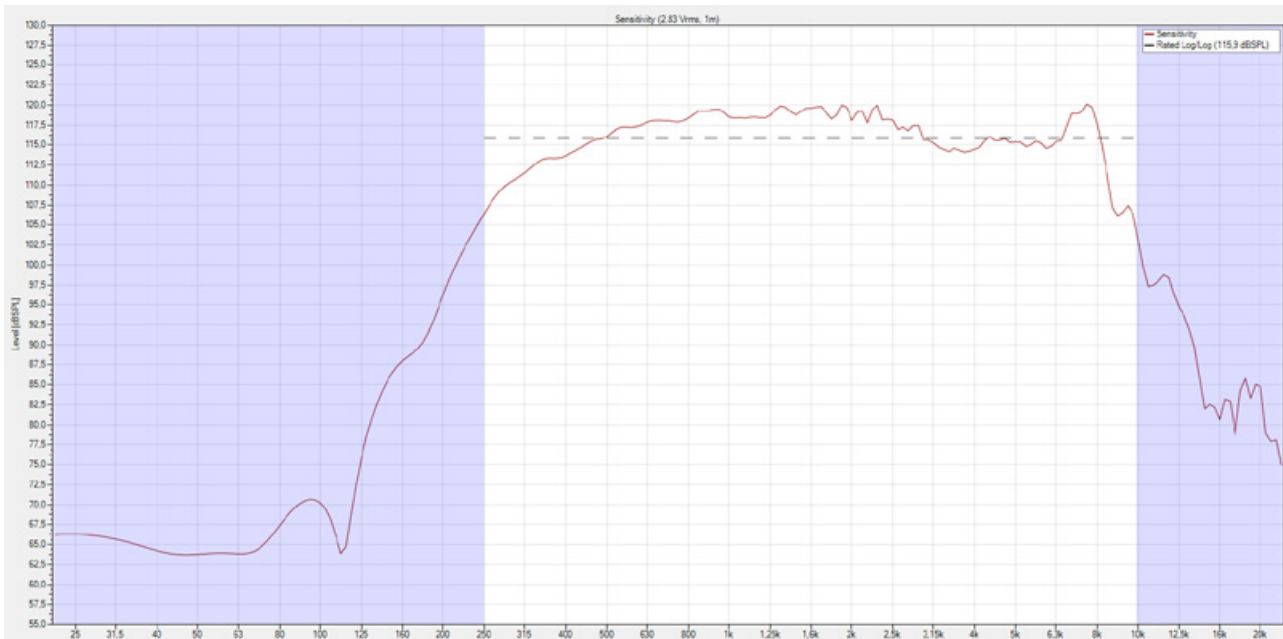
This horn speaker provides intelligible voice notifications over great distance, resulting in a lower number of loudspeakers which are required. The product is a certified voice alarm speaker according EN54-24 and there is no additional equalizer needed to meet the frequency response requirements according EN54-24.

Polar Diagrams

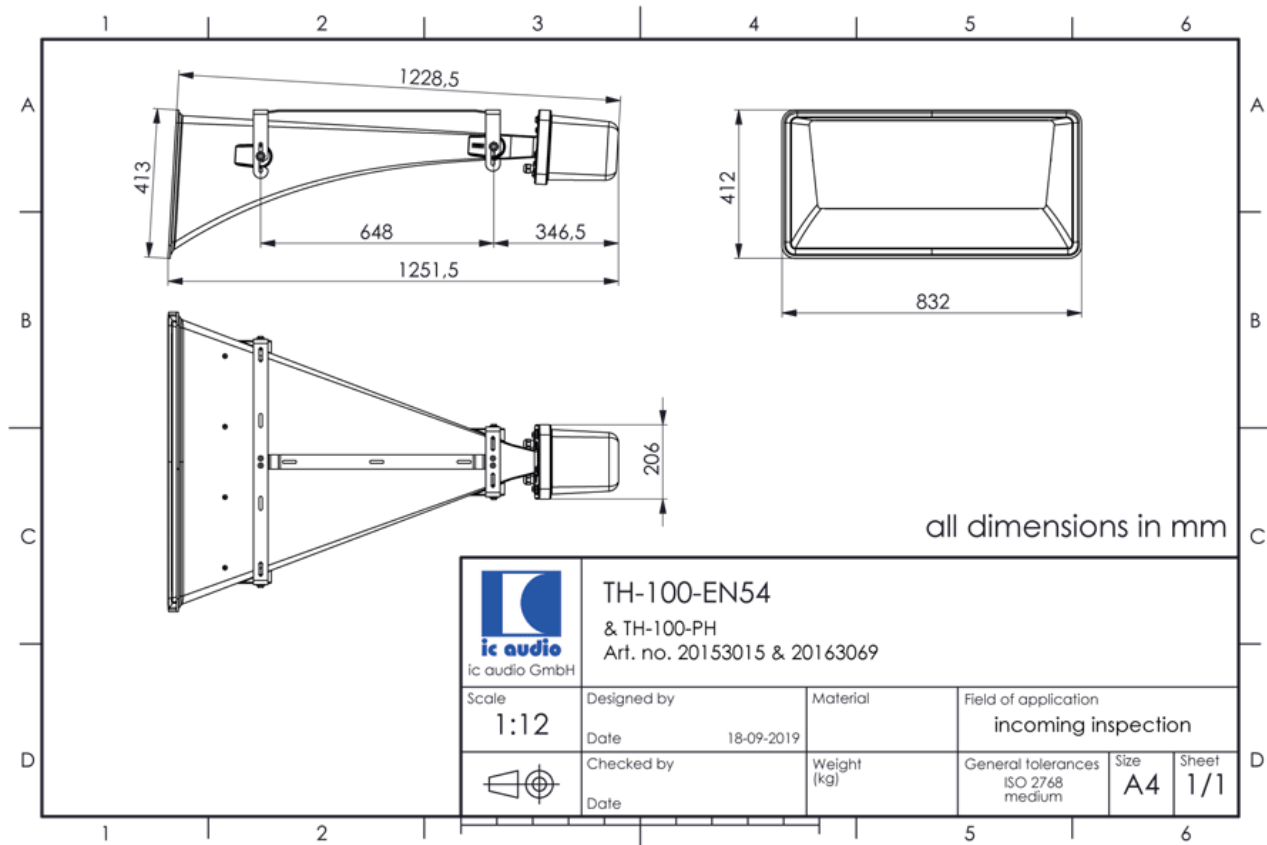


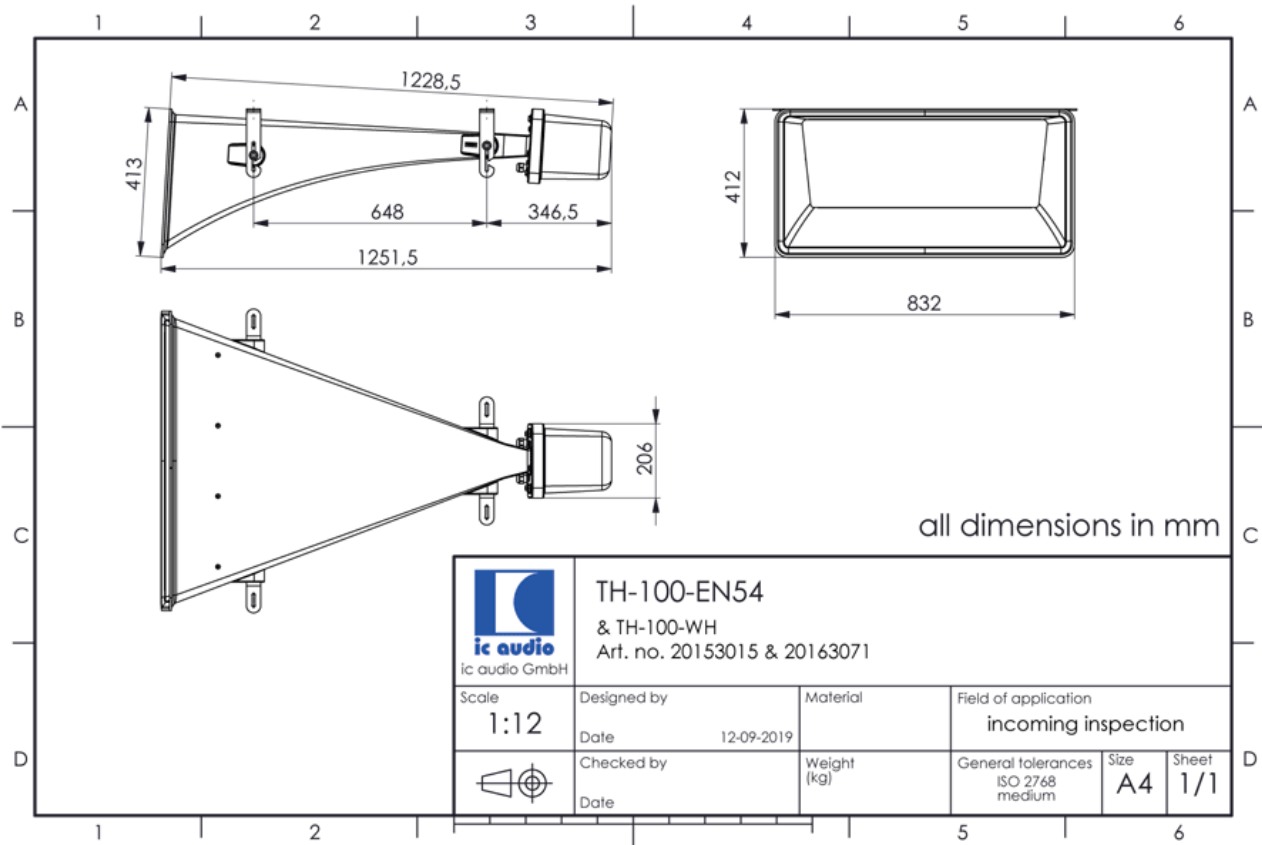


Frequency Response Diagrams



Technical Diagrams





Technical Data (Electrical)

Description	TH-100-EN54
Power	100/50/25W
Impedance (100V)	100/200/400 ohm
Frequency Range	280 - 9.000 Hz
Frequency Response	250 - 10.000 Hz
SPL 1W/1m, peak	119,0 dB
SPL , 1W/4m, peak	107,0 dB
SPL Pmax/4m, peak	127,0 dB
SPL, rated noise power / 4m	119,0 dB
Sensitivity EN54-24, 1W/4m	101,9 dB
Sensitivity EN54-24, 1W/1m	113,9 dB
Dispersion -6dB, 500Hz	h=58° v=35°
Dispersion -6dB, 1KHz	h=35° v=25°
Dispersion -6dB, 2KHz	h=40° v=20°
Dispersion -6dB, 4KHz	h=54° v=15°

Technical Data (Mechanical)

Dimensions	1228 x 832 x 413 mm
IP Rating	IP65
Weight (net)	16,0 kg
Temperature range	-25 / +70 C°
Mounting	V4A-mounting brackets (AISI 316)
Connector	4-pin ceramic block
Maximum cable cross section	8mm ²
Max. cable cross section loop	2x2mm ²
Colour	black

Product Attributes



ic audio loudspeakers are tested and classified according to the IEC standard 60529 (degree of protection by enclosure) against the penetration of foreign objects and moisture. The classification is conforming to standards through characterization with a fixed code. This code consists of the letters IP (International Protection) followed by two digits. The first digit indicates the degree of protection against dust and the second digit the degree of protection against water. Please note that the testing of the products has been carried out in laboratory conditions which are not always 100% comparable with the conditions of different installation environments. This protection can be reduced due to normal wear and tear depending on the installation environment.

RoHS compliant (2011/65/EU)

The IP rating specified is based on ic audio test results, not on CNBOP-PIB test results. Certification only verifies the minimum requirements for EN54-24 compliance.



Article Nr.: 20153015

Packing Unit: 1

