



## DK-MH 30/T plus-EN54

- Superb sound quality
- Weather-proof
- BS 5839



EN 54-24:2008  
**Ref. Nr.:** 003-13  
**ID-Code:** SAA-LS03  
1438-CPR-0242

ic audio GmbH, Boehringerstraße 14a,  
D-68307 Mannheim, Germany

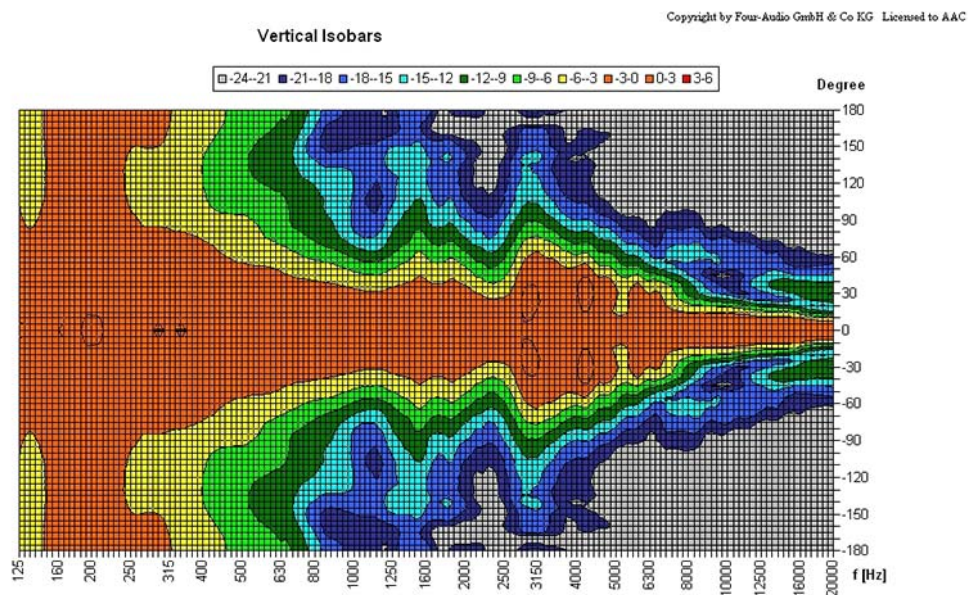
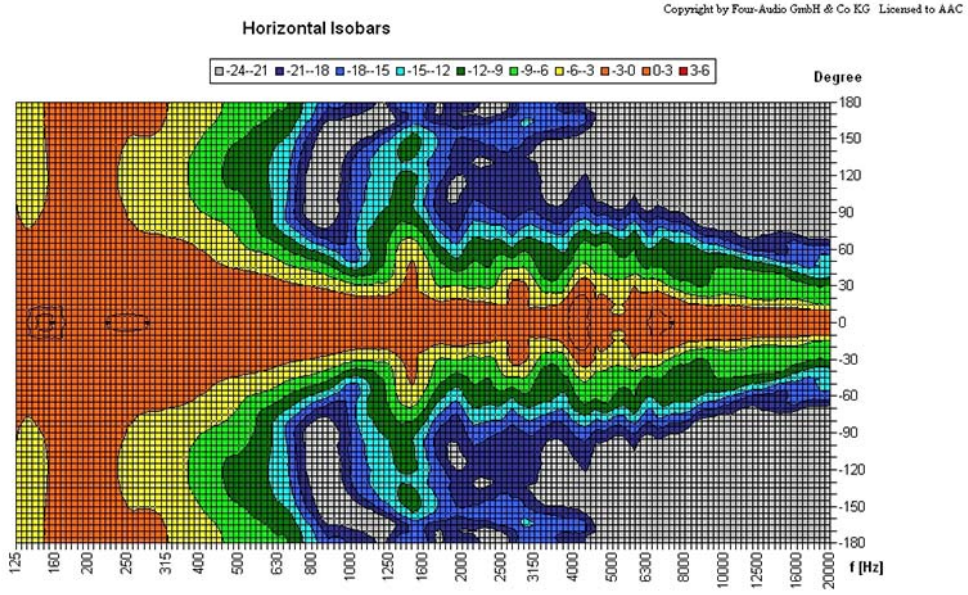
CE-Symbol gemäß Richtlinie 93/68EWG

The 30W powered 2-way speaker is equipped with a 100V line transformer with 4 power adjustments. The impact-resistant ABS housing in RAL 7035 guarantees long-term stability. For additional reliability, a ceramic block and a thermal fuse is provided.

The speaker is also secured with the high protection class IP 66 against the security risks of environmental influences. The speaker is compliant with the British Standard BS 5839, Part 8.

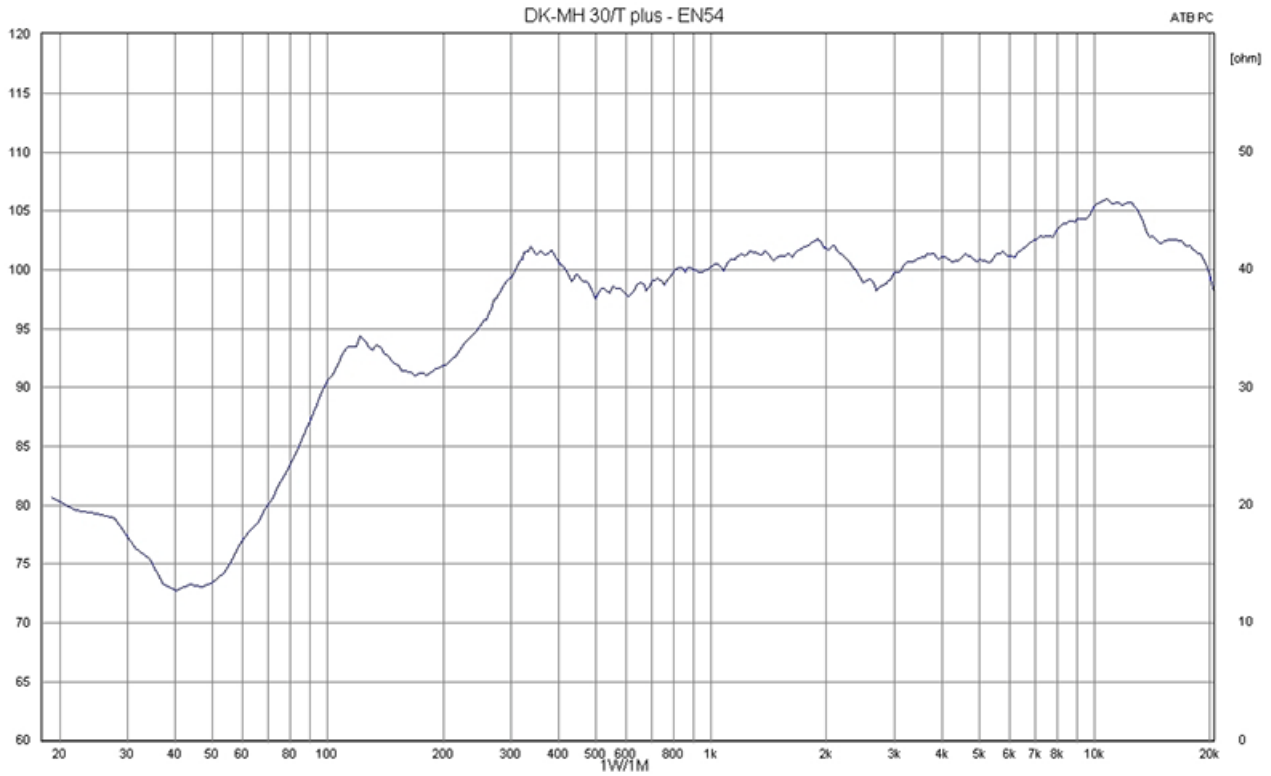
Mounting by stainless aluminum universal mount. Optionally available is a mast bracket (MB) for about 90 - 200mm mast diameter.

Polar Diagrams

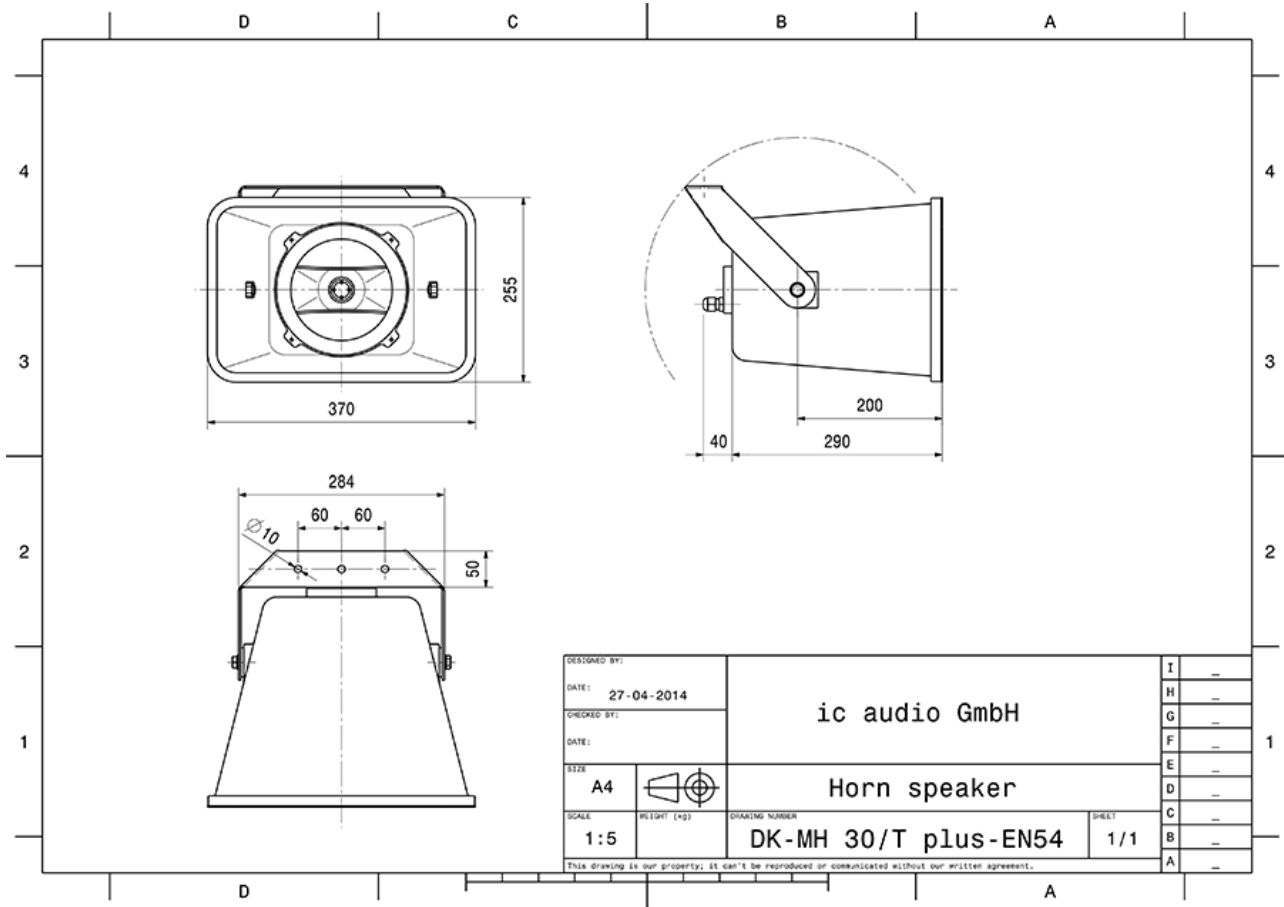


Parameters: Cyclic Move: 0° ; Symmetry: average sym ; Freq.Smooth: 1/3 Oct ; Ang.Resol.: 5° ; Rel. to: 0° Axis 0°

### Frequency Response Diagrams



## Technical Diagrams



## Technical Data (Electrical)

Description	DK-MH 30/T plus-EN54
Power	30/15/7,5/3,75 W
Impedance (100V)	333/667/1333/2667 ohm
Frequency Range	237 - 21.100 Hz
Frequency Response	65 - 24.000 Hz
SPL 1W/1m, peak	101,8 dB
SPL , 1W/4m, peak	89,8 dB
SPL Pmax/4m, peak	104,5 dB
SPL, rated noise power / 4m	100,0 dB
Sensitivity EN54-24, 1W/4m	86,0 dB
Sensitivity EN54-24, 1W/1m	98,1 dB
Dispersion -6dB, 500Hz	190 ° (h) 205 ° (v)
Dispersion -6dB, 1KHz	70 ° (h) 90 ° (v)
Dispersion -6dB, 2KHz	85 ° (h) 90 ° (v)
Dispersion -6dB, 4KHz	80 ° (h) 110 ° (v)

## Technical Data (Mechanical)

Dimensions	370x255x291 mm
IP Rating	IP66
Weight (net)	4,9kg
Temperature range	-25 / +70 C°
Mounting	Mounting bracket
Connector	ceramic block
Maximum cable cross section	8mm <sup>2</sup>
Max. cable cross section loop	2x2mm <sup>2</sup>
Colour	RAL 7035

## Product Attributes



ic audio loudspeakers are tested and classified according to the IEC standard 60529 (degree of protection by enclosure) against the penetration of foreign objects and moisture. The classification is conforming to standards through characterization with a fixed code. This code consists of the letters IP (International Protection) followed by two digits. The first digit indicates the degree of protection against dust and the second digit the degree of protection against water. Please note that the testing of the products has been carried out in laboratory conditions which are not always 100% comparable with the conditions of different installation environments. This protection can be reduced due to normal wear and tear depending on the installation environment.

RoHS compliant (2011/65/EU)

The IP rating specified is based on ic audio test results, not on CNBOP-PIB test results. Certification only verifies the minimum requirements for EN54-24 compliance.



Article Nr.: 20102232

Packing Unit: 4

